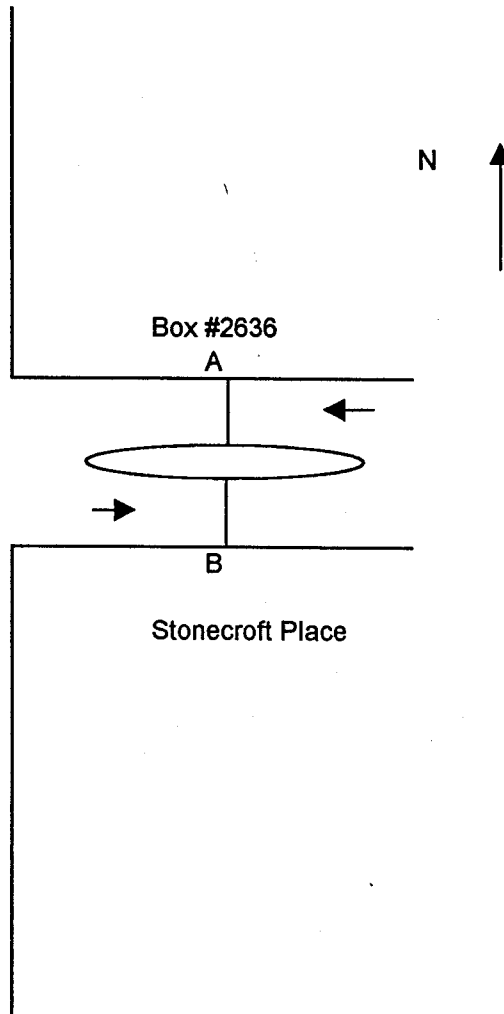
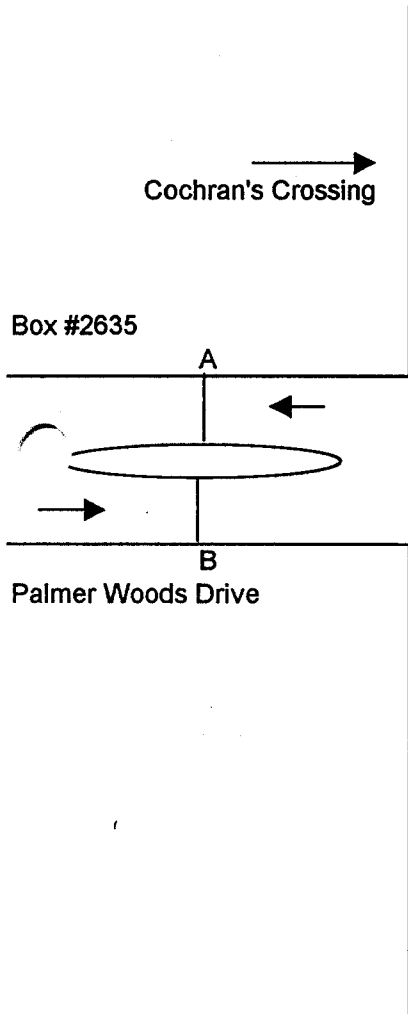


028

Traffic Study Layout: L-1 Basic Volume  
of Study: Friday Start 4/19/02  
Ending Monday 4/22/02  
Time of Study: 09:00am

Location: Cochran's Crossing @ Stone Croft/PalmerWood  
Kep Map: 216U  
Weather: Sunny



BASIC L-1

Start @ 0900

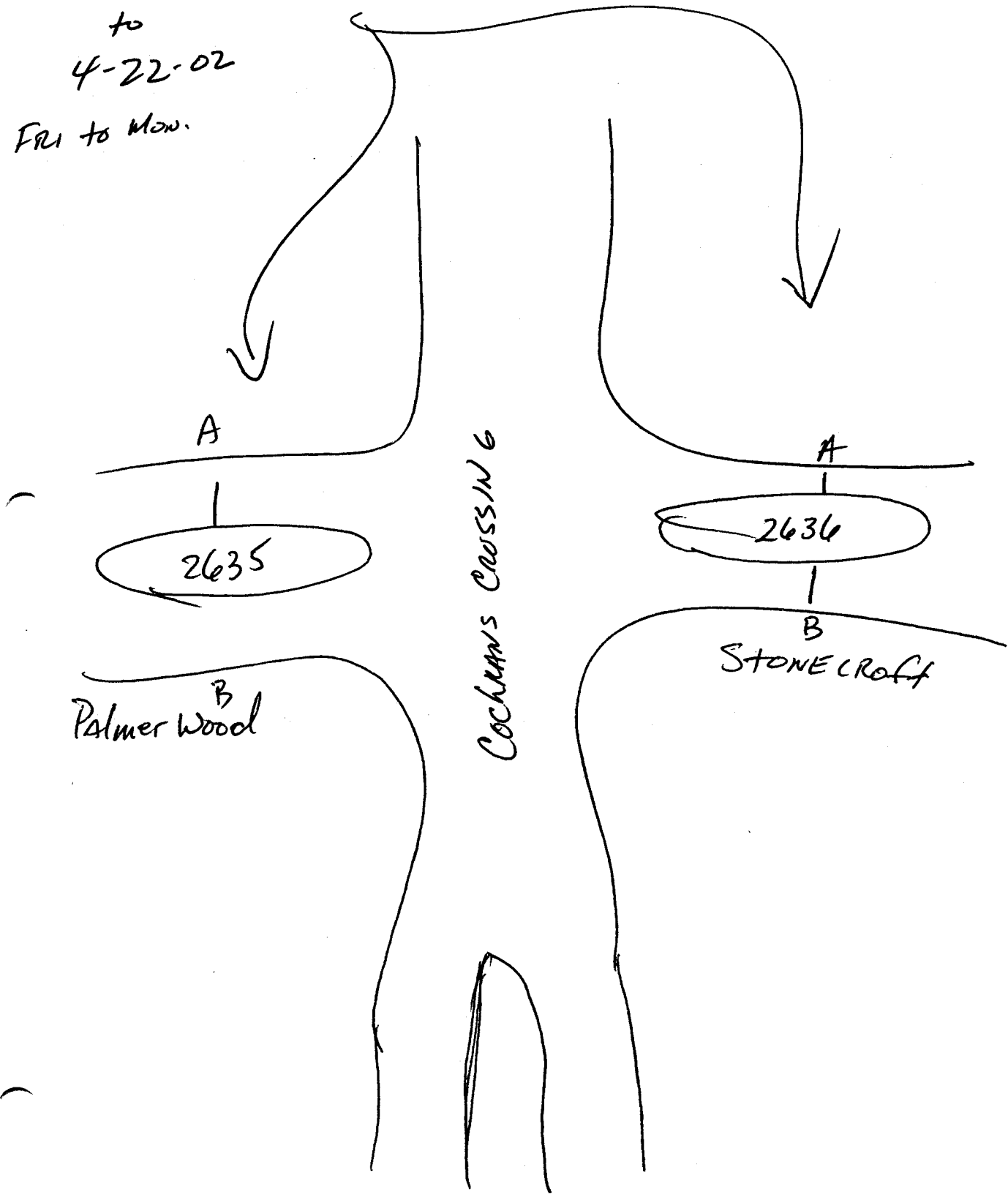
4-19-02

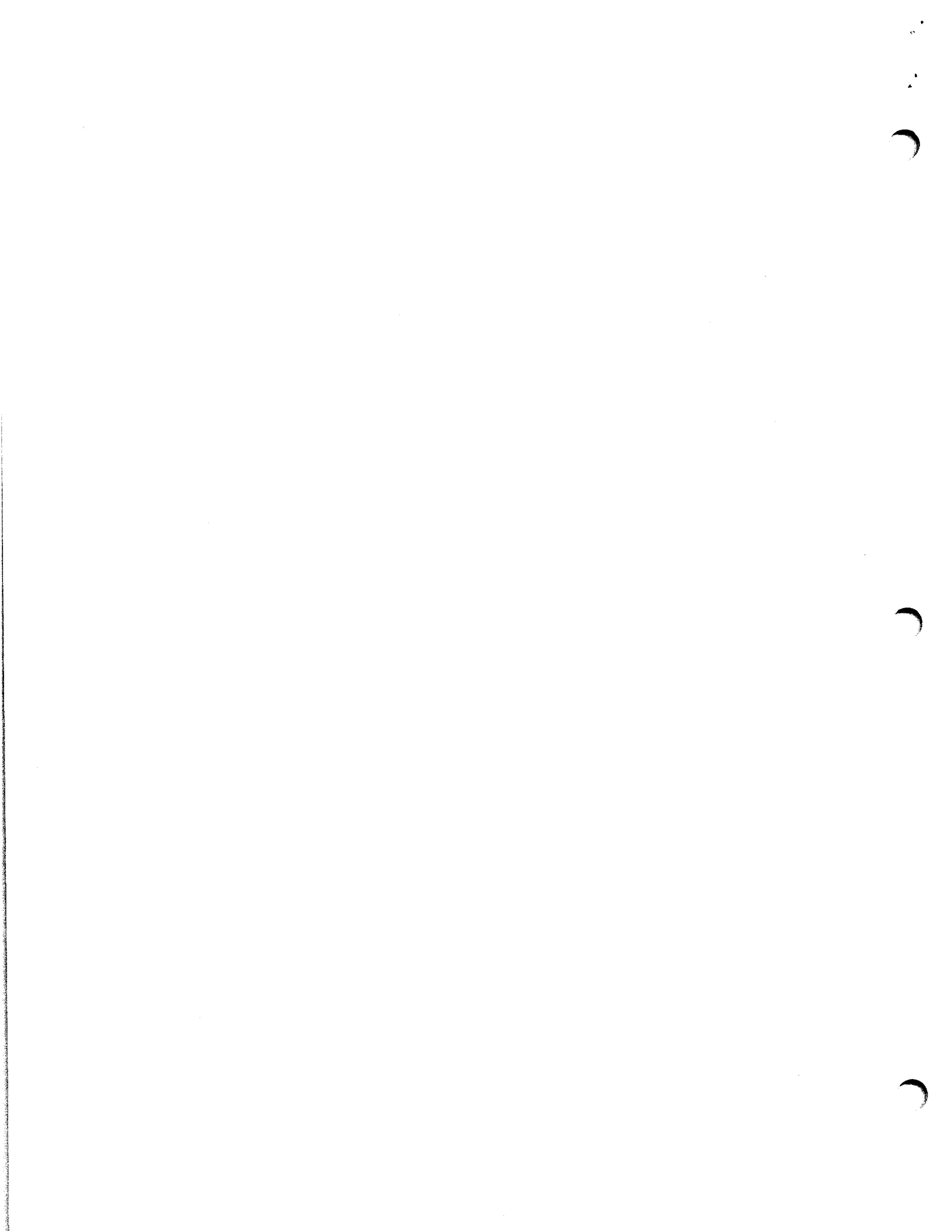
to

4-22-02

FRI to Mon.

N





Weather: Sunny  
 Channel: A Exiting Subdivision  
 Channel: B Entering Subdivision  
 Layout: L-1 Basic Study 72 Hrs.

Commissioner Ed Chance  
 Montgomery County Precinct 3

Site Code : 00000002636  
 Start Date: 04/19/2002  
 File I.D. : STONECROFT26  
 Page : 1

Street name : Stonecrock east of Cross street: Cochran's Crossing ,

Begin Time	Fri. 04/19		Sat. 04/20	
	Ch. A	Ch. B	Ch. A	Ch. B
02:00	*	*	0	0
03:00	*	*	0	0
04:00	*	*	0	0
05:00	*	*	2	1
06:00	*	*	0	0
07:00	*	*	2	0
08:00	*	*	8	2
09:00	14	9	12	8
10:00	9	8	24	9
11:00	14	12	10	10
12:00	8	10	9	12
01:00	14	10	12	9
02:00	14	16	9	8
03:00	14	12	12	8
04:00	24	17	17	14
05:00	8	8	10	12
06:00	8	16	15	10
07:00	16	8	6	10
08:00	6	6	6	3
09:00	1	7	4	4
10:00	4	0	0	1
11:00	2	0	3	4
Totals	156	139	161	126
Day Totals		295		287

AM Peaks	09:00	11:00	09:00	11:00
Volume	14	12	24	12
PM Peaks	04:00	04:00	03:00	03:00
Volume	24	17	17	14

## MONTGOMERY COUNTY, TEXAS

### DISCLAIMER

Montgomery County, Texas makes no guaranty on the accuracy of the counts herein contained. By use of the data contained in the traffic count report, the user agrees to hold harmless the county of Montgomery, including its officers and employees from any and all liabilities, claims, debts, damages, or actions of any kind arising from the use of this count data.

Weather: Sunny  
 Channel: A Exiting Subdivision  
 Channel: B Entering Subdivision  
 Layout: L-1 Basic Study 72 Hrs.  
 Street name :Stonecroft east of

Commissioner Ed Chance  
 Montgomery County Precinct 3

Site Code : 00000002636  
 Start Date: 04/19/2002  
 File I.D. : STONECROFT26  
 Page : 2

Begin Time	Sun. 04/21		Mon. 04/22	
	Ch. A	Ch. B	Ch. A	Ch. B
2:00	0	0	0	0
1:00	1	1	0	0
02:00	0	0	2	1
03:00	0	0	0	0
04:00	2	1	4	1
05:00	1	1	8	2
06:00	2	0	28	8
07:00	4	2	30	20
08:00	2	1	4	3
09:00	20	6	*	*
10:00	7	4	*	*
11:00	6	3	*	*
12:00	2	6	*	*
01:00	11	8	*	*
02:00	7	3	*	*
03:00	1	6	*	*
04:00	12	10	*	*
05:00	2	3	*	*
06:00	6	7	*	*
07:00	2	4	*	*
08:00	4	2	*	*
09:00	0	0	*	*
10:00	1	1	*	*
11:00	0	0	*	*
Totals	93	69	76	35
Day Totals	162		111	

AM Peaks	09:00	09:00	07:00	07:00
Volume	20	6	30	20
PM Peaks	04:00	04:00		
Volume	12	10		

## MONTGOMERY COUNTY, TEXAS

### DISCLAIMER

Montgomery County, Texas makes no guaranty on the accuracy of the counts herein contained. By use of the data contained in the traffic count report, the user agrees to hold harmless the county of Montgomery, including its officers and employees from any and all liabilities, claims, debts, damages, or actions of any kind arising from the use of this count data.

Weather: Sunny  
 Channel: A Entering Subdivision  
 Channel: B Exiting Subdivision  
 Layout: L-1 Basic Study 72 Hrs.

Commissioner Ed Chance  
 Montgomery County Precinct 3

Site Code : 00000002635  
 Start Date: 04/19/2002  
 File I.D. : PALMERWOOD26  
 Page : 1

Street name : Palmer Wood West of Cross street: Cochran's Crossing ,

Begin Time	Fri. 04/19		Sat. 04/20	
	Ch. A	Ch. B	Ch. A	Ch. B
12:00	*	*	5	0
01:00	*	*	2	0
02:00	*	*	0	1
03:00	*	*	3	3
04:00	*	*	0	2
05:00	*	*	4	10
06:00	*	*	34	48
07:00	*	*	38	58
08:00	*	*	64	50
09:00	104	112	74	77
10:00	102	102	68	62
11:00	99	102	77	86
12:00	79	76	73	67
01:00	109	84	84	75
02:00	110	108	89	73
03:00	124	98	110	86
04:00	97	105	102	76
05:00	120	102	102	96
06:00	91	70	55	62
07:00	60	46	53	39
08:00	44	30	52	38
09:00	41	18	46	44
10:00	20	12	26	16
11:00	4	2	14	12
Totals	1204	1067	1175	1081
Day Totals	2271		2256	

AM Peaks	09:00	09:00	11:00	11:00
Volume	104	112	77	86
PM Peaks	03:00	02:00	03:00	05:00
Volume	124	108	110	96

## MONTGOMERY COUNTY, TEXAS

### DISCLAIMER

Montgomery County, Texas makes no guaranty on the accuracy of the counts herein contained. By use of the data contained in the traffic count report, the user agrees to hold harmless the county of Montgomery, including its officers and employees from any and all liabilities, claims, debts, damages, or actions of any kind arising from the use of this count data.

Weather: Sunny  
 Channel: A Entering Subdivision  
 Channel: B Exiting Subdivision  
 Layout: L-1 Basic Study 72 Hrs.  
 Street name :Palmer Wood West of

Commissioner Ed Chance  
 Montgomery County Precinct 3

Site Code : 000000002635  
 Start Date: 04/19/2002  
 File I.D. : PALMERWOOD26  
 Page : 2

Cross street:Cochran's Crossing ,

Begin Time	Sun. 04/21		Mon. 04/22	
	Ch. A	B	Ch. A	B
12:00	5	8	0	0
01:00	8	13	0	0
02:00	0	1	1	0
03:00	0	0	0	1
04:00	0	2	5	16
05:00	4	12	38	60
06:00	10	14	64	124
07:00	20	29	82	86
08:00	34	51	74	79
09:00	50	70	0	0
10:00	56	68	*	*
11:00	84	76	*	*
12:00	54	58	*	*
01:00	73	62	*	*
02:00	48	36	*	*
03:00	54	50	*	*
04:00	70	56	*	*
05:00	62	54	*	*
06:00	54	42	*	*
07:00	36	24	*	*
08:00	31	18	*	*
09:00	8	3	*	*
10:00	6	2	*	*
11:00	4	2	*	*
Totals	771	751	264	366
Day Totals	1522		630	
AM Peaks	11:00	11:00	07:00	06:00
Volume	84	76	82	124
PM Peaks	01:00	01:00		
Volume	73	62		

MONTGOMERY COUNTY, TEXAS

DISCLAIMER

Montgomery County, Texas makes no guaranty on the accuracy of the counts herein contained. By use of the data contained in the traffic count report, the user agrees to hold harmless the county of Montgomery, including its officers and employees from any and all liabilities, claims, debts, damages, or actions of any kind arising from the use of this count data.